

New Mercury V-8 4.6L and V-6 3.4L Pro XS The Next Generation of Tournament-Winning Performance



THE ALL-NEW

175-300hp Pro XS[®]

POWERFUL & EFFICIENT

- *Superior acceleration* from performance-inspired quad-cam design and Transient Spark Technology
- *Exhilarating top speed* with Pro XS performance calibration
- *Lightweight* for maximum performance
- *Ample torque* from high-displacement V-8 4.6L and V-6 3.4L powerheads
- *Maximum fuel efficiency* from Advanced Range Optimization and closed-loop fuel control

MORE INTUITIVE, MORE REFINED, MORE OPTIONS

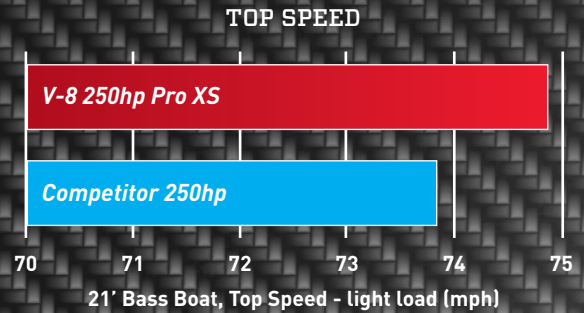
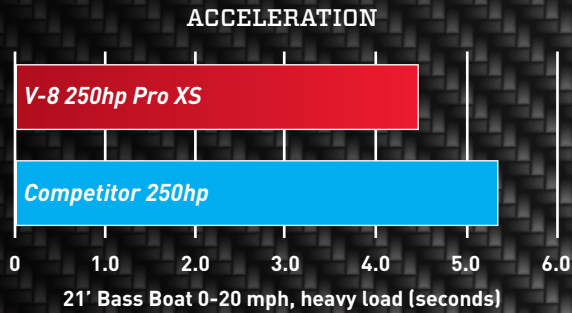
- *Performance-tuned exhaust tone* that will turn heads
- *Enhanced versatility* with choice of mechanical or digital controls
- *Innovative charging* strategy keeps your battery charged
- *Enhanced driving experience* with Adaptive Speed Control
- *Maintenance-made-easy* with industry-exclusive Top Cowl Service Door
- *Aggressive profile and graphics* reflect the Pro XS DNA



No outboard performs like Mercury Pro XS[®], now with V-8 4.6-liter and V-6 3.4-liter muscle to out-accelerate and out-run the competition.

THE NEW STANDARD FOR HIGH PERFORMANCE

The new V-8 250hp Pro XS outperforms the leading competitor in acceleration and top speed.

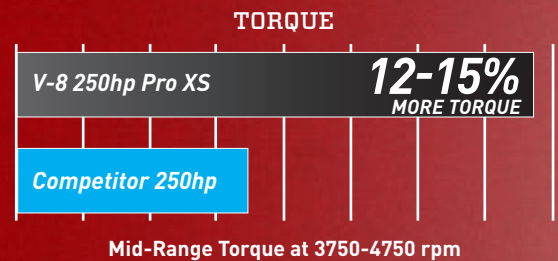


NEXT-GEN TORQUEMASTER GEARCASE

- 1.75:1 gear ratio
- Robust 1.25-inch-diameter prop shaft
- Low-water pickups on gearcase nosecone allow flexibility to mount the engine higher, install a jack plate, or trim higher
- Optimized drive hydrodynamics reduce performance-robbing drag
- Dial in Pro XS outboards with a broad selection of high-performance Mercury propellers

HIGH DISPLACEMENT IN A LIGHTWEIGHT, COMPACT PACKAGE

The V-8 and V-6 Pro XS models offer class-leading displacement and a performance-inspired dual overhead cam ("quad cam") design that delivers instant throttle response and immediate power. A single throttle body and long, performance-tuned intake runners pack more air into the cylinders to boost torque. These new outboard motors also feature Transient Spark Technology, which optimizes spark timing to produce more torque during hole shot.



SUPERIOR FUEL ECONOMY

Advanced Range Optimization improves cruise-speed fuel efficiency by automatically adjusting fuel delivery so seamlessly the operator won't feel or hear it.

Patented closed-loop fuel control uses a wide-range oxygen sensor to optimize air-to-fuel ratio during all operating conditions, an advantage over competing engines that employ narrow-range sensors.

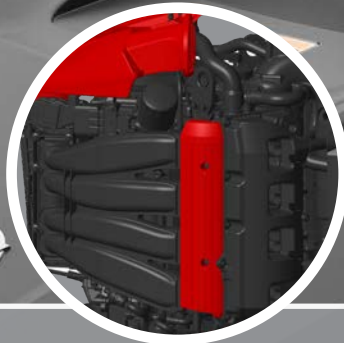
87-Octane Fuel: Mercury V-8 and V-6 outboards deliver peak performance and reliability on 87-octane fuel.



The result is up to **16%** better cruise fuel economy

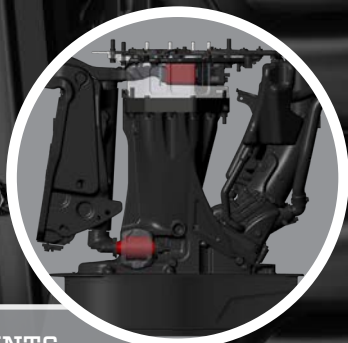
INTUITIVE, INNOVATIVE FEATURES

- *Digital or mechanical controls* are available for 200-300hp Pro XS models.
- *Low Density SMC Cowl:* Pro XS cowls are made from special lightweight materials because every pound counts!
- *Unique Pro XS sound quality:* Exhaust tone has been fine-tuned to provide a brawny, performance-inspired sound quality that's unmistakable on the water yet is 20% quieter at cruise and 30% quieter at WOT than competing high-output engines (so the fish won't hear you coming).
- *Adaptive Speed Control:* Pro XS outboards automatically maintain a desired rpm regardless of changes in load or condition without adjustment to the throttle lever position – a first for the outboard industry. The result is increased throttle response and a “sportier” feel for the driver.
- *Idle Charge battery-management:* When battery voltage decreases, the engine will automatically increase idle rpm to boost alternator output and recharge low batteries to the proper level, protecting operators from draining their battery while trolling.
- *Ample charging output:* Net charging output is 20 amps at idle, and 85 amps total at wide open throttle.



NOISE MANAGEMENT

- Tuned multi-chamber air intake minimizes airborne noise
- Fuel injector covers reduce high-frequency noise
- Multi-chamber idle relief system tuned to provide lowest idle noise



ENGINE MOUNTS

- Upper and lower mounts provide the best balance of performance, durability and low vibration



COWL SEALING SYSTEM

- Multiple sealing features keep moisture out and prevent engine noise from escaping the cowl

EASY MAINTENANCE

- Our exclusive Top Cowl Service Door simplifies routine maintenance with easy oil checks and oil fills without removing the cowl. The Top Cowl Service Door also houses the latch release and a carrying handle.
- Optional Electronic Oil Level sensor automatically alerts operator to low oil level.
- A graphic, hour-based maintenance decal is located conveniently under the cowl, providing a quick overview of routine maintenance intervals and a QR code to access additional information.
- Easy access: All maintenance points are color-coded and easily accessed by removing the top cowl.
- No-Spill Oil Drain & Filter: Oil from filter removal and oil sump drain is captured and directed to container via hose, preventing messy oil spills or runs.
- Maintenance-free valve-train: No valve-clearance adjustment is required for the life of the engine.



PRO BLACK ACCENT PANEL

Make a statement by personalizing your Pro XS outboard with a factory-painted **Pro Black** accent panel. Made of thin and durable polycarbonate that adheres firmly to the cowl, the panel is available from your local Mercury dealer for 175-300hp Pro XS models.

Specifications

Horsepower	300	250	225	200	175
WOT RPM	5600-6200	5600-6200	5600-6200	5600-6200	5400-6000
Engine Type	V-8	V-8	V-8	V-8	V-6
Displacement	279 CID (4.6L)	279 CID (4.6L)	279 CID (4.6L)	279 CID (4.6L)	209 CID (3.4L)
Induction	32-valve DOHC	32-valve DOHC	32-valve DOHC	32-valve DOHC	24-valve DOHC
Starting	SmartStart Electric	SmartStart Electric	SmartStart Electric	SmartStart Electric	SmartStart Electric
Gear Ratio	1.75:1	1.75:1	1.75:1	1.75:1	1.85:1
Alternator	85 amp (1071 watt)	85 amp (1071 watt)	85 amp (1071 watt)	85 amp (1071 watt)	85 amp (1071 watt)
Trim System	Power trim and tilt	Power trim and tilt	Power trim and tilt	Power trim and tilt	Power trim and tilt
Dry Weight*	505lbs (229kg)	505lbs (229kg)	505lbs (229kg)	505lbs (229kg)	470lbs (213kg)
Steering	Hydraulic (standard) Power (option)	Hydraulic (standard) Power (option)	Hydraulic (standard) Power (option)	Hydraulic (standard) Power (option)	Hydraulic (standard) Power (option)
Shaft Length	20in (508mm) 25in (635mm)	20in (508mm) 25in (635mm)	20in (508mm) 25in (635mm)	20in (508mm) 25in (635mm)	20in (508mm) 25in (635mm)

*Lightest-version model

